

2/2-way valves DN 25 to DN 40

For air

Remote pilot operated

Compression Fittings DN 25 and DN 40

Operating pressure 0.4 to 8 bar

83640

Description (standard valve)

Control via separate pilot valve or pilot controller

Switching function:	normally closed
Flow direction:	determined
Coil gas temperature:	-40 °C to max. +85 °C
Ambient temperature:	-20 °C to max. +85 °C
Mounting position:	optional
Pilot connection:	G 1/8

Material

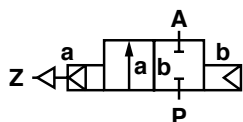
Body:	Aluminium
Seat seal:	TPE



Features

- High flow rate
- Clear compact design
- One-piece diaphragm
- Simple mounting

Symbol



Ordering information

To order, quote model number from table overleaf, e.g. 8364400.0000 for a DN 25 valve.

Characteristic data

Valves

Part Number	Nominal diameter (mm)	Operating pressure		k _v -value * (Base m ³ /h)	Weight (kg)
		min. (bar)	max. (bar)		
8364400.0000	25	0.4	8	22	0.7
8364600.0000	40	0.4	8	59	1.85

* C_v-value (US) = k_v-value x 1.2

State voltage [V] and frequency [Hz]

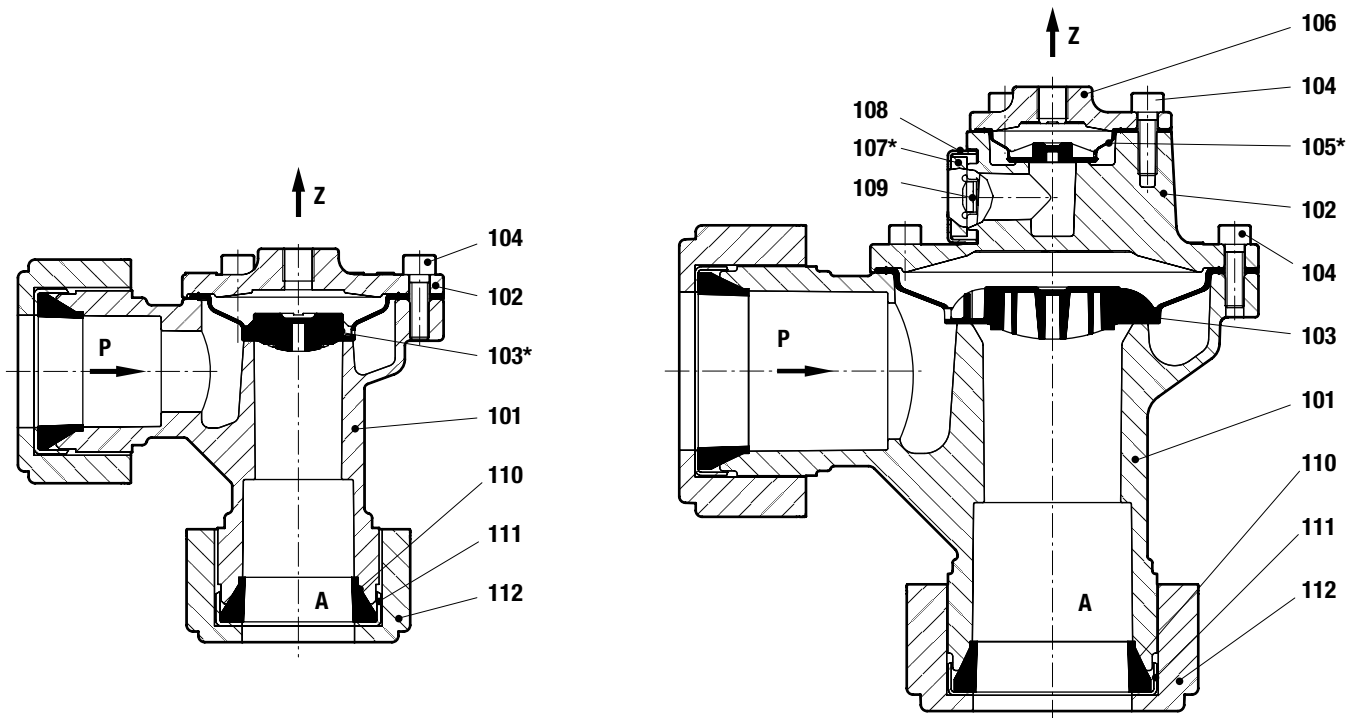
Further options (Valves)

- XXXXX**62**.XXXX Crude gas temperature version -20 °C to +100 °C
 Seat seal TPE
 Ambient temperature -40 °C to +85 °C
 Coil gas temperature -20 °C to +85 °C
- XXXXX**63**.XXXX Crude gas temperature version -20 °C to +140 °C
 Seat seal TPE
 Ambient temperature -40 °C to +85 °C
 Coil gas temperature -20 °C to +85 °C
- XXXXX**99**.XXXX Pilot connection 1/8 NPT
- On request Further versions

Section View

DN 25

DN 40



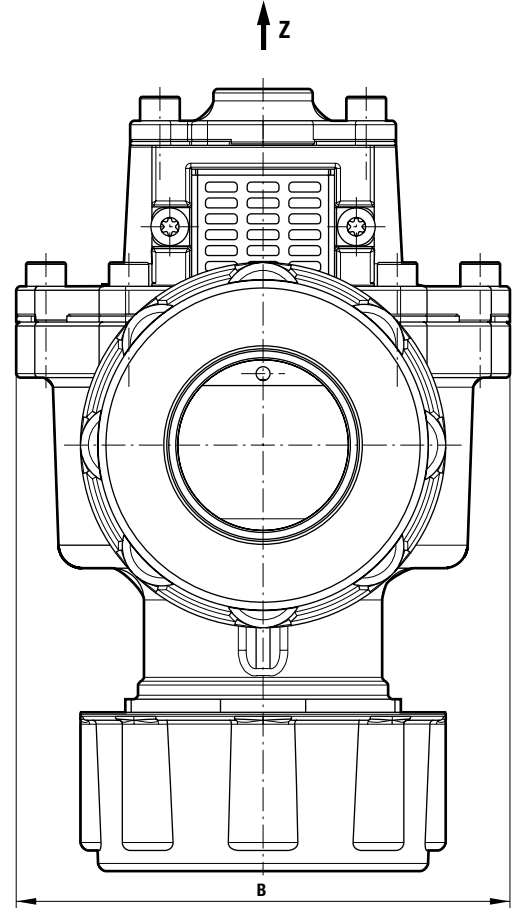
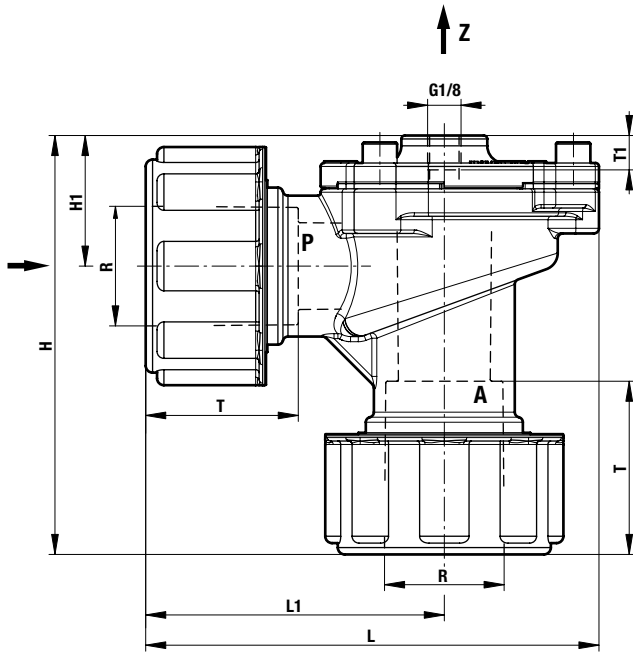
- 101 Valve body
- 102 Valve cover
- *103 Diaphragm
- 104 Socket head cap screw
- *105 Diaphragm
- 106 Valve cover
- *107 Silencer
- 108 Silencer housing
- 109 Socket head cap screw
- 110 Gasket
- 111 Gasket socket
- 112 Retainer nut

* These individual parts form a complete wearing unit.
When ordering spare parts please state Cat No and Series No.

General Dimensions

DN 25

DN 40



Part Number	Connection size	T (mm)	T1 (mm)	B (mm)	H (mm)	H1 (mm)	L (mm)	L1 (mm)
8364400.0000	34.8	ca. 45	10	80	ca. 122	38	ca. 132	ca. 87
8364600.0000	50	ca. 66	10	124.5	ca. 197	90	ca. 183	ca. 118

Note to Pressure Equipment Directive (PED):
 The valves of this series are according to Art. 3 § 3 of the Pressure Equipment Directive (PED) 97/23/EG.

This means interpretation and production are in accordance to engineers practice wellknown in the member countries.
 A certificate of conformity ist not designated.